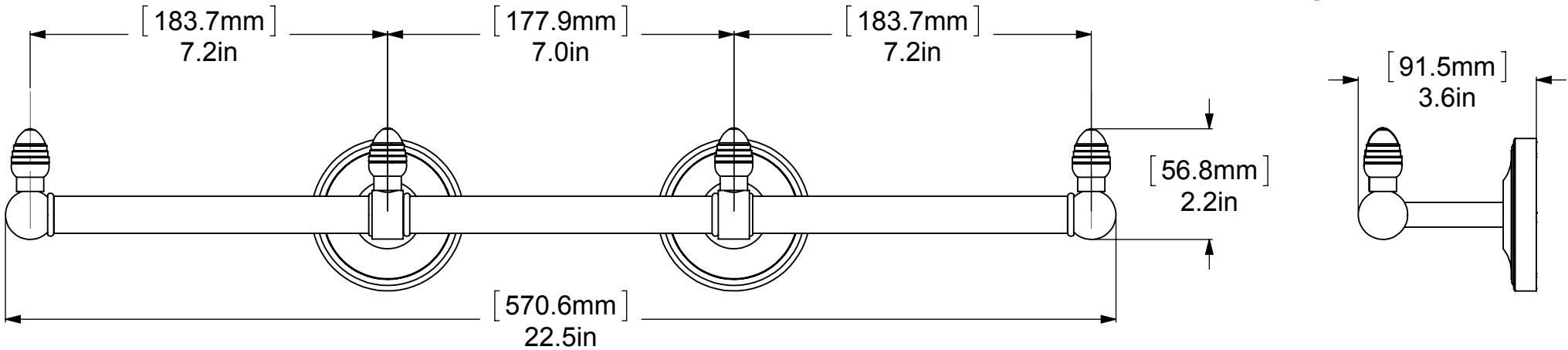
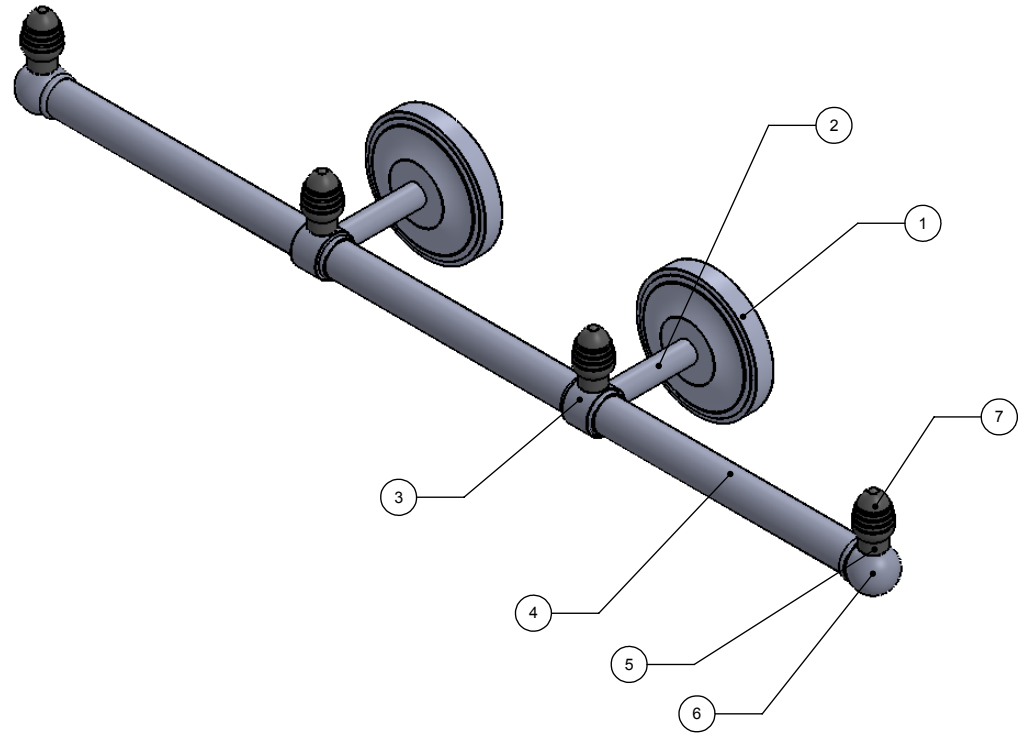


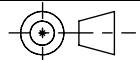
ITEM NO.	P/N	Description	QTY.
1	BPPR	BACKPLATE	2
2	TU12-2	Neck	2
3	HB2T-1	HUB	2
4	TU34-6.5	TUBE	3
5	CRRD-34	RING	6
6	BL2T-1	END BALL	2
7	KBGT-1	TOP	4




UNLESS OTHERWISE STATED

.X	$\pm .3\text{mm}$
.XX	$\pm .15\text{mm}$
.XXX	$\pm .008\text{mm}$

COPYRIGHT © Allied Brass 2016



THIRD ANGLE PROJECTION

DRAWN	5/3/2016	I.M	MATERIAL:	BRASS	FINISH	TBD
CHECKED	5/3/2016	P.D	DESCRIPTION:		QUANTITY	TBD
APPROVED	5/3/2016	R.A	TOWEL HOLDER		DRAWING No.	REV
					BPPR-HTB -3	0
				SCALE	1:3	SHEET: 01 A4